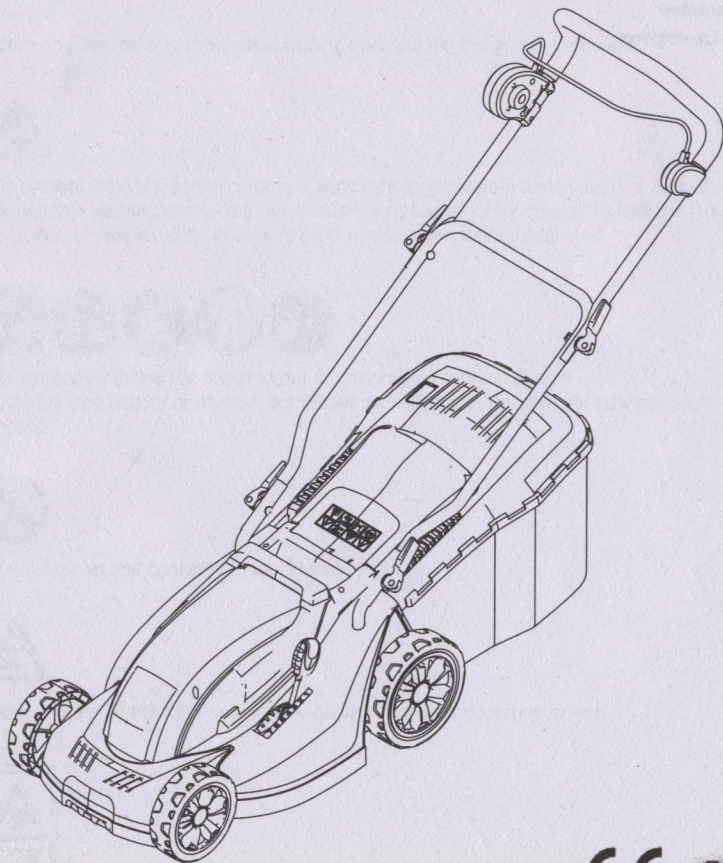


COBRA

GTRM38 Electric Lawn Mower



CAUTION:

Before using our lawn mower, please read this manual carefully to understand the proper use of your unit. Keep this manual handy.

INDEX

Symbols	02
Intend use	03
General Safety Instructions	04
Description of product parts	10
Assembly & Operation	11
Technical Data	19
Troubleshooting	19
Maintenance	20
Guarantee	22
CE-Description	23

SYMBOLS

Symbols are used in this manual to attract your attention to possible risks. The safety symbols and the explanations which accompany them must be perfectly understood. The warning themselves do not prevent the risks and cannot be a substitute for proper methods of avoiding accidents.



Before any use, refer to the corresponding paragraph in the present manual.



This symbol, before a safety comment, indicates a precaution, a warning or a danger. Ignoring this warning can lead to an accident for yourself or for others. To limit the risk of injury, fire, or electrocution always apply the recommendations indicated.



This symbol indicates the requirement of wearing ear protection, eye protection, respiratory protection, tight-fitted protective clothes and gloves when using the product.



Do not expose and operate the tool in rain.



Remove the plug from the mains immediately if cable is damaged or cut.



Objects thrown by the product could hit the user or other bystanders. Always ensure that other people and pets remain at a safe distance from the product when it is in operation. In

general, children must not come near the area where the product is.



Beware of sharp tines

Remove plug from mains before maintenance or if cord is damaged.



Cutting device continues to rotate after the product is switched off. Wait until all components have completely stopped before touching the lawn mower.



Double insulation.



Keep the connection cable away from the cutters.



Keep the mains power cord away from cutting area.



Guaranteed sound power level value in 96 dB



The product complies with the applicable European directives and an evaluation method of conformity for these directives was done.



Recycle unwanted materials instead of disposing of them as waste. All tools, hoses and packaging should be sorted, taken to the local recycling centre and disposed of in an environmentally safe way.

Intended use

This electric lawnmower is intended for bagging, mulching and discharging lawns in domestic and hobby gardens.

This product is not to be used in wet weather conditions and may not be used to mow dry, wet or unusually high grass, e. g. pasture grass or for shredding leaves. This product is intended for private domestic use only, not for any commercial trade use. It must not be used for any purposes other than those described.

GENERAL SAFETY INSTRUCTIONS



WARNING!

Read all safety warnings and all instructions. Failure to follow the warnings and instructions may result in electric shock, fire and/or serious injury.

Save all warnings and instructions for future reference.

The term "the machine" in the warnings refers to your mains-operated (corded) lawnmower or battery-operated (cordless) lawnmower.

Work area safety

- Keep work area clean and well lit. Cluttered or dark areas invite accidents.
- Do not operate the machine in explosive atmospheres, such as in the presence of flammable liquids, gases or dust. The machine create sparks which may ignite the dust or fumes.
- Keep children and bystanders away while operating the machine. Distractions can cause you to lose control.

Operation

- Never allow children or people unfamiliar with these instruction to use the machine. Local regulation many restrict the age of the operator. When not in use store the machine out of reach of children.
- This tool is not intended for use by persons with reduced physical, sensory or mental capabilities.
- The operator or user is responsible for the accidents or hazards.
- Inspect the area where the machine is to be used, remove all stones, sticks, wires, bones and other foreign objects.
- Before using always visually check the blade, blade bolts and cutter assembly are not

worn or damaged.

- Mow only in daylight or in good light.
- Walk, never run with the lawnmower
- Ensure the blade is not running when crossing surfaces other than grass.
- Do not tilt the machine when starting or switching on the motor.
- Do not put hands or feet near or under the rotating parts.
- Never pick up the machine when the motor is running.

Electrical safety

- The machine plugs must match the outlet. Never modify the plug in any way. Do not use any adapter plugs with earthed (grounded) the machine. Unmodified plugs and matching outlets will reduce the risk of electric shock.
- Avoid body contact with earthed or grounded surfaces, such as pipes, radiators, ranges and refrigerators. There is an increased risk of electric shock if your body is earthed or grounded.
- Do not expose the machine to rain or wet conditions. Water entering the machine will increase the risk of electric shock.
- Do not abuse the cord. Never use the cord for carrying, pulling or unplugging the machine. Keep cord away from heat, oil, sharp edges or moving parts. Damaged or entangled cords increase the risk of electric shock.
- When operating the machine, use an extension cord suitable for outdoor use.
- If operating the machine in a damp location is unavoidable, use a residual current device (RCD with a tripping current of 30mA or less) protected supply. Use of an RCD reduces the risk of electric shock. NOTE the term "residual current device (RCD)" may be replaced by the term "ground fault circuit interrupter (GFCI)".
- The voltage indicated on the rating plate must correspond to the voltage of the power source.
- Only use or replace power supply cables for this unit which correspond to the types indicated by the manufacturer. See the operating instructions for the order no. and types.
- Never touch the mains plug with wet hands.
- Do not run over, crush or pull the power supply cable or extension lead, otherwise it may be damaged. Protect the cable from heat, oil and sharp edges.
- The extension lead must have a cross section in accordance with the operating instructions and be protected against splashed water. The connection must not be in water.

Personal safety

- Stay alert, watch what you are doing and use common sense when operating the machine. Do not use the machine while you are tired or under the influence of drugs, alcohol or medication.
- Use personal protective equipment. Always wear eye protection. Protective equipment such as dust mask, non-skid safety shoes or hearing protection used for appropriate conditions will reduce personal injuries.
- Prevent unintentional starting. Ensure the switch is in the off-position before connecting to power source and/or battery pack, picking up or carrying the tool.
- Do not carry the machine with your finger on the switch.
- Remove any adjusting key or wrench before turning the machine on. A wrench or a key left attached to a rotating part of the machine may result in personal injury.
- Do not overreach. Keep proper footing and balance at all times.
- Dress properly. Do not wear loose clothing or jewellery. Keep your hair, clothing and gloves away from moving parts. Loose clothes, jewellery or long hair can be caught in moving parts.

- Warning! Switch off, remove plug from mains before adjusting, cleaning or if cable is cut, damaged or entangled.
- The blades continue to rotate for a few seconds after the machine is switched off.
- The machine is double insulated for safety and requires no earth connection. The operating voltage is 230V AC, 50Hz (for non -EU countries 220V, 240V as applicable). If you want to use an extension cable when operating your product, only the following cable dimensions should be used:
 - -1.0mm²: max. length 40m
 - -1.5 mm²: max. length 60m
 - -2.5 mm²: max. length 100m
- Note: If an extension cable is used it must be earthed and connected through the plug to the earth cable of your supply network in accordance with prescribed safety regulations.
- If in doubt contact a qualified electrician or the nearest Cobra Service Centre.
- WARNING! Inadequate extension cables can be dangerous. Extension cable, plug and socket must be of watertight construction and intended for outdoor use.
- It is recommended for increased electrical safety to use a Residual Current Device (RCD) with a tripping current of not more than 30mA. Always check your RCD every time you use it.

Use and care

- Do not force the machine. Use the correct the machine for your application. The correct the machine will do the job better and safer at the rate for which it was designed.
- Do not use the machine if the switch does not turn it on and off. If the machine cannot be controlled correctly with the switch then it must be repaired.
- Disconnect the plug from the power source and/or the battery pack from the machine before making any adjustments, changing accessories, or storing the machine. Such preventive safety measures reduce the risk of starting the machine accidentally.
- Store idle the machine out of the reach of children and do not allow persons unfamiliar with the machine or these instructions to operate the machine.
- The machine are dangerous in the hands of untrained users.
- Maintain the machine. Check for misalignment or binding of moving parts, **breakage of parts and any other condition that may affect the machine's operation**. If damaged, have the machine repaired before use.
- Keep cutting tools sharp and clean. Properly maintained cutting tools with sharp cutting edges are less likely to bind and are easier to control.
- Use the machine, accessories and tool bits etc. in accordance with these instructions, taking into account the working conditions and the work to be performed. Use of the machine for operations different from those intended could result in a hazardous situation.

Service

- Have your machine serviced by a qualified repair person using only genuine replacement parts. This will ensure that the safety of the machine is maintained.

SPECIAL SAFETY INSTRUCTIONS

Use the appliance properly

This appliance is approved solely for use:

- In accordance with the descriptions and safety instructions specified in this user's guide.
- To mow the lawns of domestic and leisure gardens. Using the lawnmower for any other purpose is considered incorrect and unapproved. The user is liable for all damage caused to third parties and their property.
- Unauthorized modifications made to the mower rule out any liability on the part of the manufacturer for damage resulting therefore.
- This appliance is not intended for use by persons (including children) with reduced physical, sensory or mental capabilities, or lack of experience and knowledge, unless they have been given supervision or instruction concerning use of the appliance by a person responsible for their safety.

Observe the safety and operating information

- Before using the appliance for the first time, read follow operating instructions carefully. Keep these instructions in a safe place for future reference. Never allow children or other persons to use the lawnmower who do not know the operating instructions.

Before working with the appliance

- Persons using the appliance must not be under the influence of intoxicants, alcohol, medication, etc.
- Before you begin work, make that you are familiar with all attachments and operating controls as well as their functions.
- Only use connection cables in the open that have been authorized for this purpose and are correspondingly marked, e.g. H07RNF2×1.5mm²(max.50m). connection parts of connection cables must be splash-proof and coated with rubber.
- Before using the mower, always check that the connection cable is not damaged, cracked or tangled. To do this switch off the unit and pull out the mains plug. Do not use a damaged connection cable.
Before using the appliance:
- Check whether the grass catcher works and the ejection flap closes correctly damaged, worn or missing parts must be replaced immediately
- Check for any wearing or damage to the cutters, fastening pins and the whole cutter unit; all worn or damaged parts must be replaced in sets at a specialist workshop in order to rule out imbalances.
- Check whether the cable between the motor and switch/connection combination is damaged. Damaged cables must be replaced at a specialist workshop immediately.
- Spare parts must fulfill the requirements laid down by the manufacturer. You should only use original spare parts or those which have been approved by the manufacturer.
- All repair work must be conducted exclusively by a qualified technician.

When working with the appliance

- When working with or on the appliance you must wear protective clothing.
This includes:
 - Safety shoes
 - Trousers
 - Close-fitting garments
 - Protective goggles, etc.

- Operate the mower only when it is in good working condition as stipulated and delivered by the manufacturer.

Before all work on this appliance

- Avoid injuries by observing the following. Before carrying out any work on the machine:
 - Switch OFF the motor.
 - Wait until all moving parts have come to a complete standstill.
 - Remove the mains plug.

After working with the appliance

- Before you leave the lawnmower unattended always remove the mains plug.



Danger!

Never use a lawnmower if it has damaged safety devices or if there are no safety devices fitted.

Operating safety



Danger!

Electric shock

- For safety reasons, the socket used to power the mower should be backed up by residual-current-device (RCD) which can be tripped by a max. Current of 30mA.
- If you happen to cut through the cable when mowing, there is danger to life or risk of injury. Slowly step away from the machine. Unplug from the mains socket. When mowing always make sure that the connection cable never gets into the area of the blade.

Accident

- No person, especially children, or animals should be allowed to stand close to the mower while it is in use.
- Risk of injury due to ejected stones or other objects.

Falling over

- Operate the mower at walking speed only.
- Be particularly careful when mowing in reverse and pulling the appliance towards you.
- When mowing on steep slopes, there is a risk of the mower tipping over and you could be injured as a result. Mow crossways to the slope, never upwards and downwards. Do not mow on inclines greater than 20%.
- Be particularly careful when changing direction.
- Mowing along perimeters involves a risk of injury. Mowing near edges, hedges, or steep inclines is dangerous. Keep a safe distance from perimeters when mowing.
- If the ground is wet the mower could slip due to reduced traction and overturn. Mow only when the grass is dry.
- Work only by daylight or in good artificial lighting.

Injury

- Always maintain a safe distance from the rotating blade.
- Never place your hands, feet, or other parts of the body near rotating parts.
- Stop the motor when the lawnmower has to be tilted and must travel over surfaces other than grass for transporting.
- Never lift or carry the appliance when the motor is running. Remove the mains plug from the socket beforehand.
- Switch off the motor and take out the mains plug when you release any jams, remove

blockages in the ejection channel or before checking, cleaning, transporting, adjusting or working on the lawnmower.

- If you remove the grass catcher, you or other persons might get injured due to ejected, mowed materials or foreign bodies.
- Never empty the grass sack while the motor is running. To do this, switch off the lawnmower.
- Check the surface on which the appliance is to be used and remove all objects that the appliance can take up and eject out.
- If a foreign body (e.g. stone) is hit by the cutting blade or if the lawnmower starts vibrating abnormally: stop the motor immediately and remove the mains plug. Check the appliance for damage, and have any damage repaired at a Cobra Service Centre.
- In the case of lawnmowers with rotating blades, never stand in front of the grass ejection holes.

Tripping over

- While turning the machine around you could trip over the mains cable and injure yourself. Feed the cable behind you in such a way that it stays out of the path along which you are walking while mowing, and is kept away from the cutting blades.
- Operate the mower at walking speed only.



Caution!

Damage to the machine

- Stones, branches or other objects lying around can cause damage to the lawnmower and its operation. Remove all objects from the appliance's path before every use.
- Do not operate the machine if it is not in perfect working order. Undertake a thorough visual check before using it. In particular, check that protective equipment, electrical controls, current-carrying cables and threaded connections are not damaged and are secure.
- Replace damaged parts before operating the unit.

Operating times

Comply with the national/municipal regulations concerning the times when the mower may be used (if required, contact your local authority).

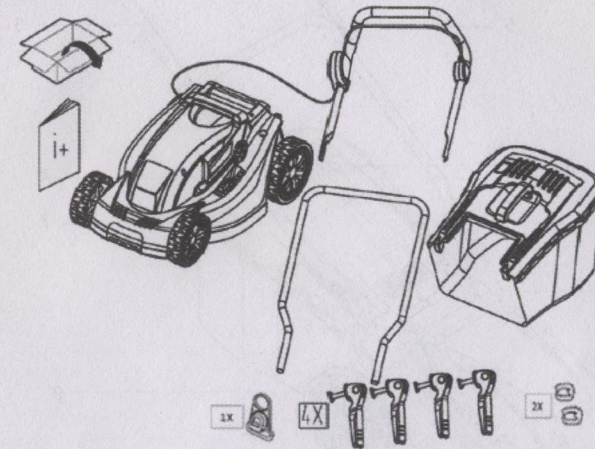
Directions

Details of specific locations on the machine (e.g. left, right) are always quoted as seen from the handles and while facing forward. (fig 2)

Description of product parts

In the box

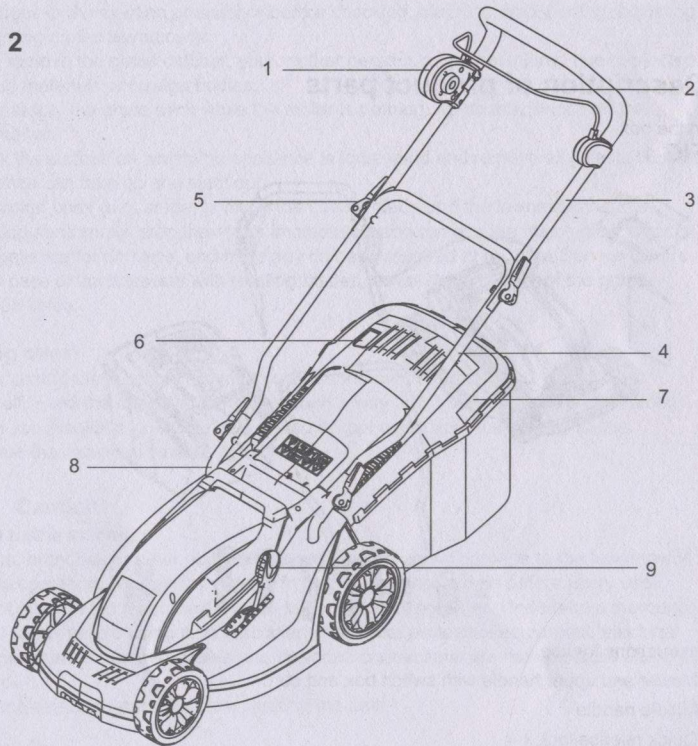
FIG 1



Instructions for use

- Mower and upper handle with switch box and cord
- Middle handle
- Quick release lock x 4
- Grass bag
- Cord clip x2
- Cord grasper

FIG 2

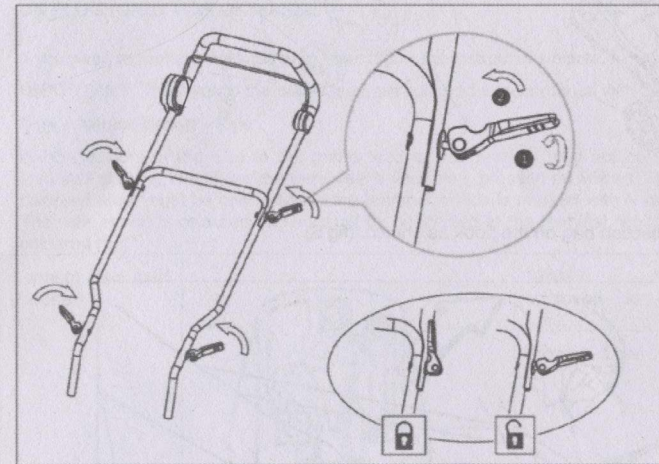


1. Switch box
2. Switch bar
3. Upper handle
4. Middle handle
5. Quick release lock
6. Full grass indicator
7. Grass bag
8. Lower handle
9. Height adjusting handle

ASSEMBLY

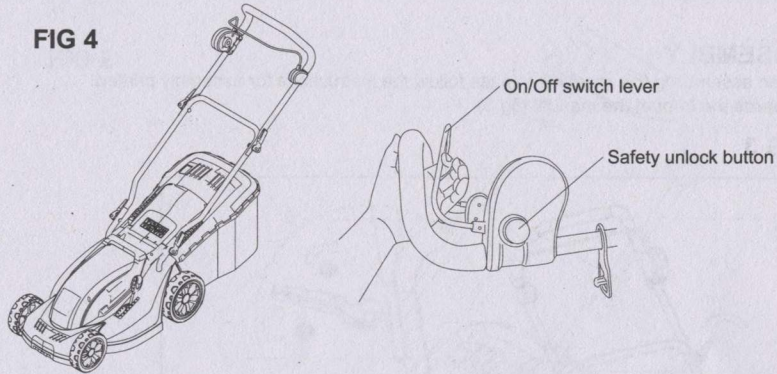
When assembling this machine, please follow the instructions for assembly printed. Towards the front of the manual (fig 3)

FIG 3



- 1) Fit the upper handle, middle handle and lower handle together with the quick release lock system. You can rotate the quick release lock to adjust the tightness of lock.
- 2) As fig 4 shows, fix the cord by the cord clip and cord grasper

FIG 4



4) Hang the collection bag on the hook as shown. (fig 6)

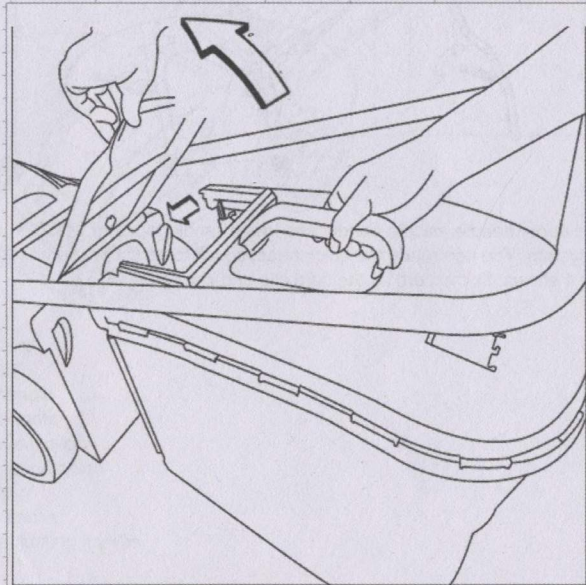


FIG 6

Note: The packaging material is made of recycle materials. Dispose of packaging materials in accordance with regulations.

Switching on the unit

Do not switch on the unit until it has been completely assembled. Before switching on the unit, always check the connection cable for signs of damage; only on undamaged connection cable may be used.

Note: Damaged connection cables are highly dangerous!

POWER CONNECTION

The mains voltage (230V~240V) indicated on the rating plate must correspond with the mains power supply. Mains connection fuse: min.10A.

UK PLUG (ONLY FOR UK MARKET)

If you need to replace the fitted plug, then follow the instructions below.

IMPORTANT: The wires in the mains lead are coloured in accordance with the following code:

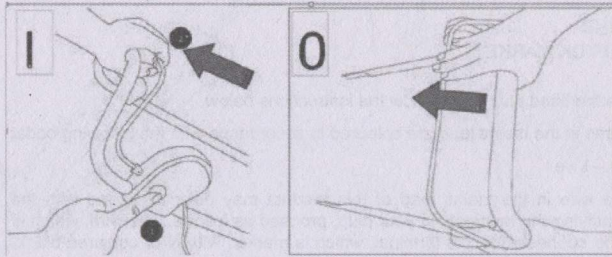
Blue – Neutral Brown – Live

As the colours of the wire in the mains lead of this product may not correspond with the coloured marking identifying the terminals in your plug, proceed as follows. The wire, which is coloured blue, must be connected to the terminal, which is marked with N or coloured black. The wire, which is coloured brown, must be connected to the terminal, which is marked L or coloured red.

Connect Blue to N (Neutral)		13AMP fuse approved to BS 1362
Outer sleeve firmly clamped		Brown L (Live)
		Cable grip



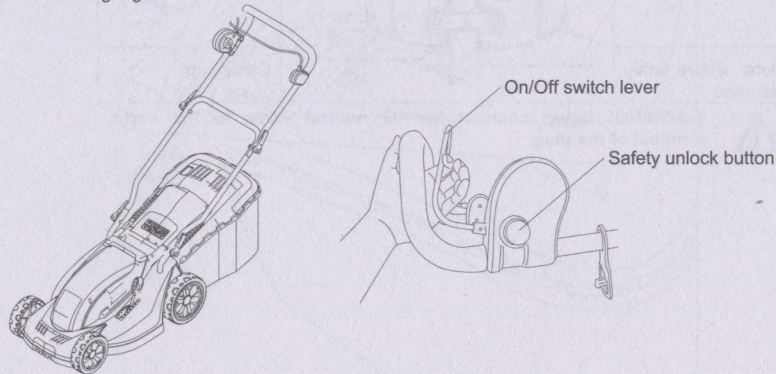
WARNING! Never connect live or neutral wires to the earth terminal of the plug.

SWITCHING ON AND OFF (fig 7)**FIG 7**

Do not start the motor in tall grass.

Switch on: press the button. Hold down the on button (1) and pull the switch bar (2) towards the handle and hold in position

> Turn on the machine by pressing and holding down the safety lock button (1) whilst pulling the on/off switch lever (2), as shown in the drawing Fig 4

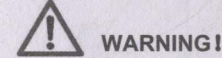
**Notes:**

> Release the safety unlock button once the machine is running whilst retaining a hand-hold on the on/off switch lever.

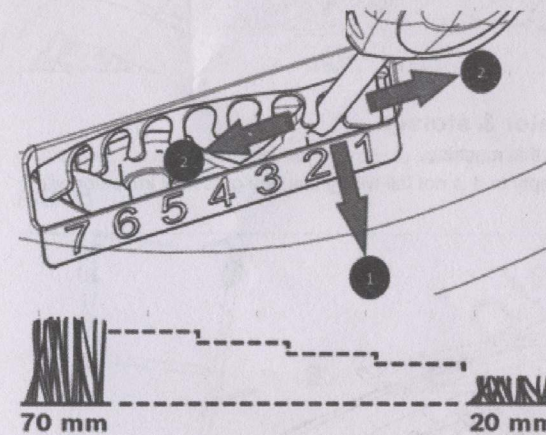
-the safety lever will lock into position.

Switch off: Release the switch bar.

Note: While mowing, lay the connection cable safely on footpaths and on areas which have already been mown.

**WARNING!**

When the motor has been switched off, the cutter continues running for several seconds therefore do not touch the underside of the mower until the cutter has come to a standstill!

SETTING CUTTING HEIGHT (fig 5)**FIG 5**

If you want to change the cutting height, please push the adjusting lever first in order to make it out of the tooth and then push the lever at the required position (1 to 7)
Warning: Never operate the adjusting handle roughly.

Mowing direction:

When you begin to mow please follow the arrow on fig 10, so that you can avoid twist your extension cord or cut the cord.

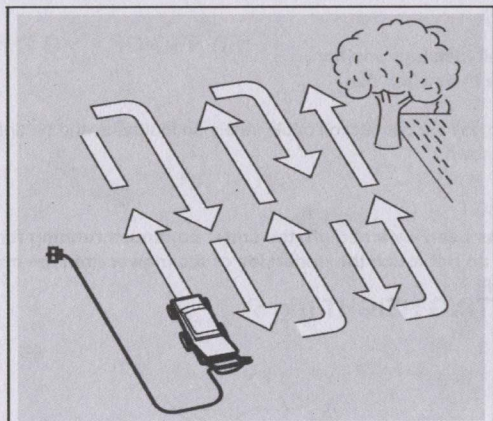


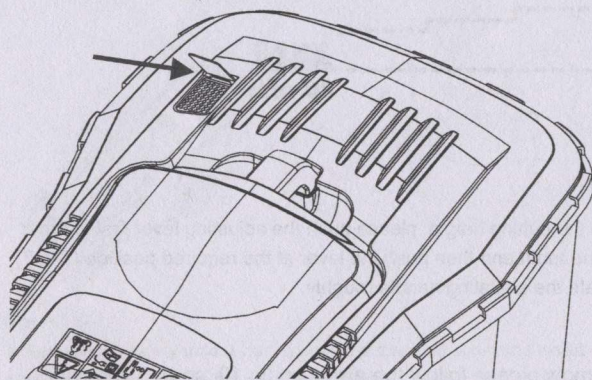
FIG 10

Grass bag full indicator & storage

- There are two functions in this machine.

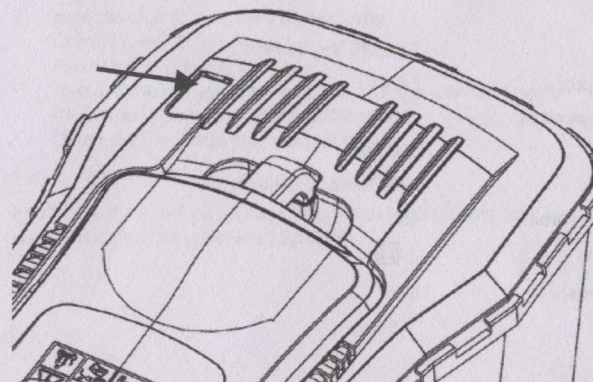
- 1) If the collection bag is empty or it is not full with grass, the grass full indicator will open. fig 8

FIG 8



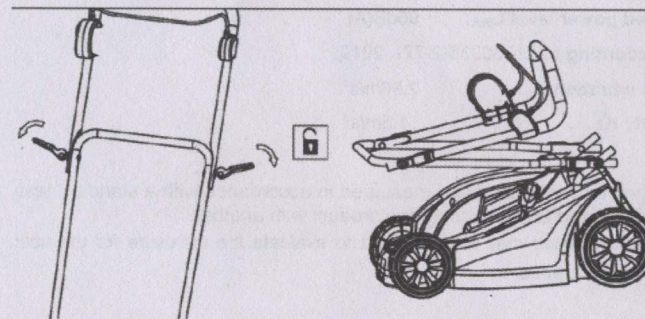
- 1) If the collection bag is full with grass the grass full indicator will close. fig 9

FIG 9



- This lawn mower can be folded in order to save space. Fig 11

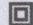
FIG 11



- 1) Loosen the quickrelease lock system on handles
- 2) Fold the handles as fig 11
- 3) Store it.

Technical Data

General

- > **Rated voltage:** 230-240 V~, 50 Hz
- > **Rated power input:** 1400W
- > **Rated no load speed n_0 :** 3500min⁻¹
- > **Cutting width:** 380 mm
- > **Cutting height:** 20-70mm, 7 adjustments
- > **Grass catcher volume:** 40L
- > **Protection class:** II 
- > **Protection degree:** IPX4
- > **Weight:** 15.6kg

Sound level according to EN ISO 3744:2005 EN ISO 11094:1991 and Annex III of 2000/14/EC as amended by 2005/88/EC

- > **Sound pressure level L_{pA} :** 80.8dB(A)
- > **Sound power level L_{WA} :** 93.4dB(A)
- > **Uncertainty K:** 3dB(A)
- > **Guaranteed power level L_{WA} :** 96dB(A)

Vibration level according to EN 60335-2-77: 2010

- > **Hand arm vibration a_h :** 2.96m/s²
- > **Uncertainty K:** 1.5m/s²

The declared vibration value has been measured in accordance with a standard test method and may be used for comparing one product with another.

The declared vibration value may also be used to evaluate the exposure for the user caused by vibration in advance.

TROUBLESHOOTING



WARNING!

Before performing any maintenance or cleaning work, always pull out the mains plug and wait until the cutter has come to a standstill

1) Motor does not run:

- Check mains connection cable, circuit-breaker or fuse
- Start on short grass or on an area which has already been mown
- Clean discharge channel/housing (the mowing blade must rotate freely)
- Correct the cutting height.

2) Motor power drops:

- Correct the cutting height

- Clean discharge channel/housing
- Replace the mower cutter blade at a Cobra Service Centre

3) Grass catcher is not filled sufficiently

- Correct the cutting height
- Allow the lawn to dry
- Replace the mower cutter blade at a Cobra Service Centre
- Clean the grille on the grass catcher
- Clean the discharge channel /housing

Faults which cannot be rectified with the aid of this table may be rectified by a specialist company only (Cobra service centre).

MAINTENANCE AND CARE



WARNING!

Before performing any maintenance or cleaning work, always pull out the mains plug!

- 1) Do not spray the unit with water. Ingress of water may destroy the Switch/plug combination unit and the electric motor.
- 2) Clean the unit with a cloth, hand brush, etc.
- 3) Always wear gardening gloves when handling or working near the sharp blades.
- 4) Keep all nuts, bolts and screws tight to be sure that the machine is in safe working condition.
- 5) Check the grass catcher frequently for wear or deterioration.
- 6) Examine the machine and replace worn or damaged parts for safety.

Expert inspection is required:

- 1) If the lawn mower strikes an object.
- 2) If the motor stops suddenly
- 3) If the blade is bent (do not align!)
- 4) If the motor shaft is bent (do not align!)
- 5) If a short circuit occurs when the cable is connected.
- 6) If the gears are damaged.
- 7) If the V-belt is defective.



WARNING!

Unbalanced blades will cause the lawn mower to vibrate violently-risk of accident!

Following maintenance procedures on insulation protection test must be conducted on the insulating parts (e.g. removal of the mowing blade) in compliance with the VDE701 guidelines customer service centre.

Storing the unit

After mowing, clean the unit thoroughly. Store the unit in a dry shed or garage, allow the motor to cool down beforehand. To reduce storage space, the upper handle can be folded down, unscrew the wing nuts by approximately 6 revolutions.



Caution!

Do not trap the electric cable when folding down the handle.

GUARANTEE AND SERVICE

After purchase date, a full 1 year guarantee applies to material and production defects. If the product shows defects as a result of material and production defects during the period of guarantee, we guarantee free repair on condition that: the product has been used properly and for the purpose for which it has been intended. The accessories are not covered by the guarantee.

For service contact Henton & Chattell Ltd, London Road, Nottingham NG2 3HW UK
Telephone 0115 986 2161 www.cobragarden.co.uk info@cobragarden.co.uk

CE-Description

We, the importer Henton & Chattell Ltd NG2 3HW

Declare the product: GTRM38 (SLM38ZA)

Product Description: 230-240V AC, 50Hz, 1400w Class II, IPX4, 3500 min⁻¹, cutting width 380mm

Complies with the following directives:

2006/42/EC (MD)

2006/95/EC (LVD)

2004/108/EC (EMC)

2011/65/EU (RoHS)

The conformity assessment procedure followed was in accordance with:

2000/14/EC Annex III 2005/88/EC

Name of Notified Body: ITS

Measured sound power level: 93.4 dB(A),

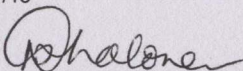
Guaranteed sound power level: 96B(A),

Applicable Harmonized Standards:	Report Date	Verification of conformity	
		Certificate	Notified Body
EN60335-1:2002+A11,A1:2004+A12,A2: 2006+A13:2008+A14:2010+A15:2011 EN 6033-2-77:2010 EN 62233:2008 EK9-BE-52:2007 ISO11094:1991	2012.12..14	MD	ITS
EN ISO 3744:2005 & Annex III of 2000/14/EC	2012.12.12	Noise	ITS
EN55014-1:2006+A1:2009+A2:2011 EN55014-2:1997/+A1:2001+A2:2008 EN61000-3-2:2006+A1:2009+A2:2009 EN61000-3-3:2008	2012.12.12	EMC	ITS
EC Type approval certificate number: SH12100460-V1	2012.1214	CE	ITS

Authorised signatory and technical file holder

Date: 30/7/13

Signature:



Name / title: Mr. Peter J. Chaloner / Managing Director
Henton & Chattell Ltd., London Road, Nottingham NG2 3HW UK